

Introducing the

The Perfect P-Trap™

The Perfect P-Trap is Eco-Friendly, Plumber Free and Heirloom Safe.

TARGET MARKET:

- All residential properties • All commercial properties * Any location that has a need for a quick and easy solution to clogs/lost items

FEATURES:

- Easy to understand
- Easy to install and use
- Eco friendly
- Heirloom safe
- Plumber free

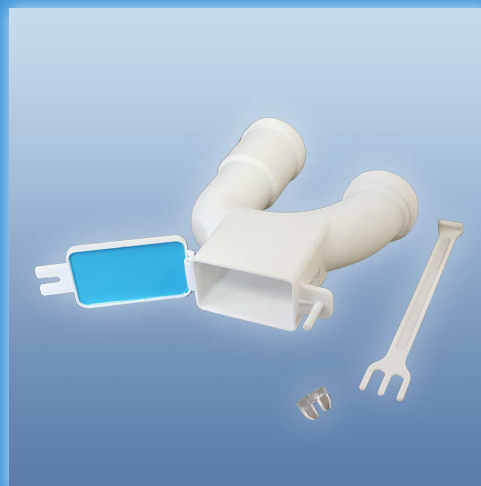
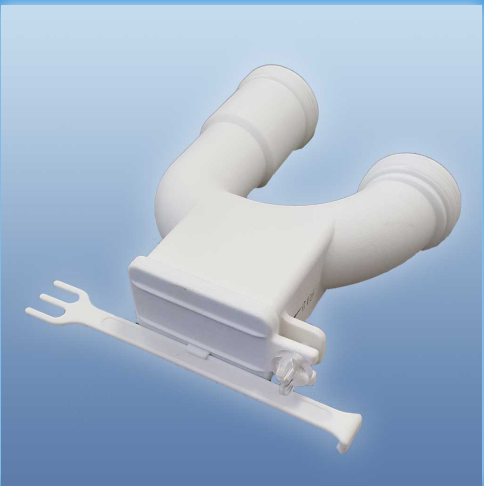
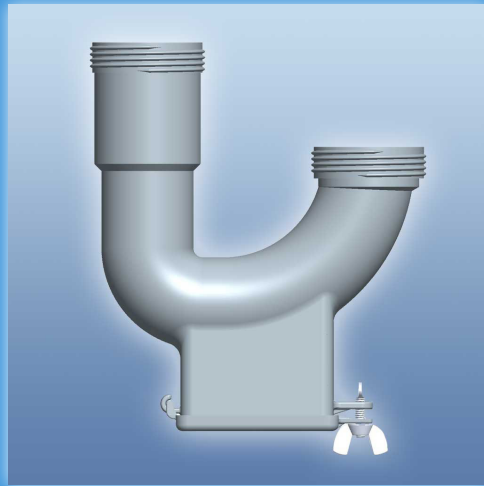
PATENT ABILITY AND ENGINEERING

A provisional and design patent application has been filed as of October 2016. The Patent Search was performed by The Mars Rising Network and revealed nothing similar and that a granted patent could be obtained because of the unique design and functionality of the device as compared to other known devices. The Domestic Market is very large to say the least.

SUMMARY

The Perfect P-Trap is the modern evolution of an age-old plumbing practice, that will soon become the global industry standard applied to every domestic and commercial sink, new and old. After the original S-bend and U-traps over a century ago, the common

P-trap became the trade norm beneath every household sink by providing the essential function of preventing harmful sewer gasses from seeping through pipes into any home, room or business. Unfortunately, the typical P-trap's design is also the cause of debris and food particles settling in the piping, causing costly clogs. The Perfect P-Trap ("TPPT") is meticulously designed to allow anyone to easily, quickly and simply not only remove a flow stoppage, but perform preventive maintenance allowing water to flow smoothly through the pipes. Additionally, the unique design of the "TPPT" includes the remarkable bonus feature, a "catcher" at the lowest point of the trap, designed to catch and hold valuable objects (earrings, rings, coins, heirlooms, etc.) that may mistakenly fall down the drain. The ability to manually clear clogs and retrieve lost valuables means this simple, yet significant, improvement eliminates the need for corrosive commercial drain cleaners and/or expensive plumbers without compromising the core functionality of the traditional p-trap. All said, The Perfect P-Trap is eco-friendly, plumber-free and heirloom-safe, guaranteed to reduce hassle and expense in every household, hotel, and business. If you've ever dropped a valuable item down the drain like an earring, ring, necklace or some other object, and either lost it for good or had to call a plumber then you understand how inconvenient, frustrating and nerve wracking the circumstance can



The Perfect P-Trap™

be. Ease your mind as TPPT provides an easy and quick solution.

Perhaps those that stand to benefit the most from this revolutionary invention, are the entities responsible for the satisfactory functionality of locations with multiple sinks. Every residential builder, hotel/motel, apartment/condo complex, tenement building, office building, stadium, theatre, etc will reap immediate rewards of reduced maintenance expense and improved customer/guest satisfaction by simply converting to The Perfect P-Trap. With a simple turn of "The Trap Screw" you release the "Trap Door" allowing you to retrieve

your item. The Perfect P-Trap also features a unique "Cleaning Wand" with both a "Fork End" and a "Claw End" to both grab and push unwanted debris from the pipe. The Perfect P-Trap will be a low-cost item with significant value versus the conventional p-trap.

TPPT will sell on line, in home improvement and hardware stores, plumbing supply outlets and in big box and specialty stores making it a high-volume sales product. You should also expect to see TPPT in both commercial and residential new construction

About the Developer

The inventor, Dave Chambers, a native of Southern California now makes his home in Atlanta Georgia. Mr. Chambers is a second-generation plumber who learned the business as an apprentice to his father. Dave had an idea for a better way to access sink pipes/master traps for clogs & lost objects. After years of tinkering and numerous design options The Perfect P-Trap was born. Contacted the Mars Rising Network and had a provisional and design patent application filed. Production is expected to start in the fall of 2017 with retail viability shortly thereafter.

For more information:

Steven Boyd, General Manager

The Perfect P-Trap LLC
PH: (404) 697 8000
Email: ddt.pttrap@gmail.com

Dave Chambers, President / Inventor

The Perfect P-Trap LLC
PH: (404) 454 8477
Email: ddt.pttrap@gmail.com

Member of the



MARS RISING
NETWORK

888-627-7747 / 888-MARS-RISING

www.themarsrisingnetwork.com • BBB A+ 5 Star Consumer Rating



The Perfect P-Trap™

IT'S ECO-FRIENDLY, PLUMBER FREE AND HEIRLOOM SAFE.

Dave Chambers